

Sensorflow 21 Urinal Flush Sensor, Low Pressure Valve Panel Mounted, Mains

ILLUSTRATED

A7058 Sensorflow 21 urinal flush, Low Pressure Valve, panel mounted, mains

ILLUSTRATED PRODUCT DETAILS

Weights

A7058 1.51 KG

Finishes

A7058  Chrome (AA)

Materials

A7058 Chrome Plated Brass

FINISH OPTIONS

 (AA) Chrome

 (GN) Ultra Steel

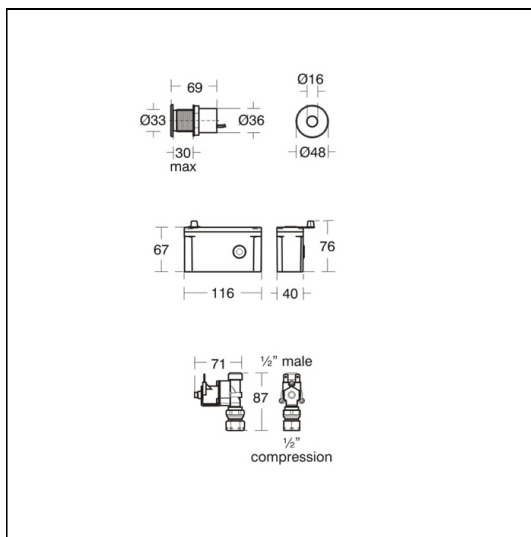
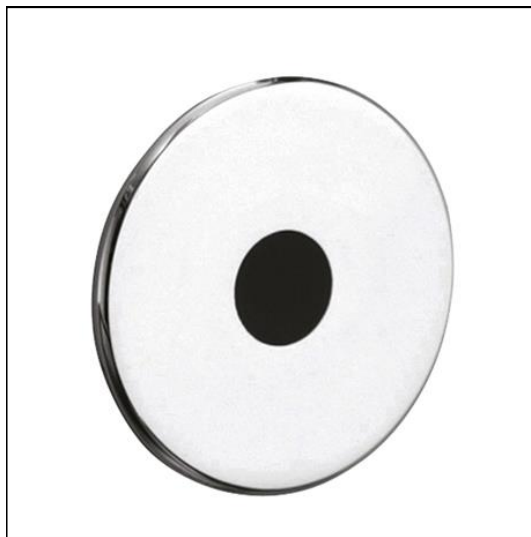
Special Notes

Check Local requirements for back flow prevention.

Suitable for water systems from 0.2bar 0.5bar.

Default 4sec run time, adjustment at installation.

Ensures full coverage without exceeding 1.5 litres per activation.



FEATURES

